

KH80G

HYUNDAI WIA Horizontal Machining Center



Technical Leader

Resulting from years of experience, Hyundai WIA's KH80G features a 3 step geared spindle and rigid construction in order to deliver accurate machining and maximum productivity.

KH80G

[] : Option

Pallet Size	mm(in)	2-800×800 (2-31.5"×31.5")
Max. Load Capacity	kg(lb)	2-2,200 (2-4,850)
Spindle Taper	-	NT #50 [HSK-A100]
Spindle Speed	rpm	4,500 [6,000]
Spindle Output	kW(HP)	26/22 (34.9/29.5) [26/22 (34.9/29.5)]
No. of Tools	EA	40 [80, 120]
Travel(X/Y/Z)	mm(in)	1,250/1,000/850 (49.2"/39.4"/33.5")



Robust Machining Center with
Revolutionary Productivity

KH80G

- Best in class max. work size of $\varnothing 1,150(\varnothing 45.3")$ and 1,150mm($\varnothing 45.3")$ height
- Dual Contact Spindle for High Rigidity (OPTION)
- 3 Step Gear Main Spindles for Powerful Cutting
- Through Spindle Coolant for High Accuracy
- Shuttle Type APC
- Optimized Guide Ways on Each Axis
- Specially Designed Columns That Minimize Thermal Displacement



01

KH80G

Basic Features

Heavy Duty Cutting & Productivity
Horizontal Machining Center

01 Column Moving Structure

The column moving Z-axis enables precise machining of large-sized work and prevents overhang of table when loading or machining. The column width of 860mm(33.9") provides precise machining at any condition. Also, the thermally symmetrical column structure minimizes thermal displacement.



02

Spindle

By using ultra precision cylindrical roller bearings, fast acc/ deceleration of the main spindle is achieved.

The spindle head is designed to minimize thermal displacement of main spindle, and with the use of a hydraulic tool lock system, the machining stability has been increased.



03

Hybrid Type Slideways

KH80G applies 2 types of guideways. Sturdy box guideways on Y-axis for heavy loads, and LM Guideways on X/Z axis for better movement, providing ultimate travel ability.

Oil & Air Lubrication

Guideways are lubricated with both oil and air, When compared to conventional oil-only lubrication systems, cooling speed is improved.

Shuttle Type APC

Productivity is improved through shuttle type APC that makes large-sized workpiece machining easier.



04

Basic Features



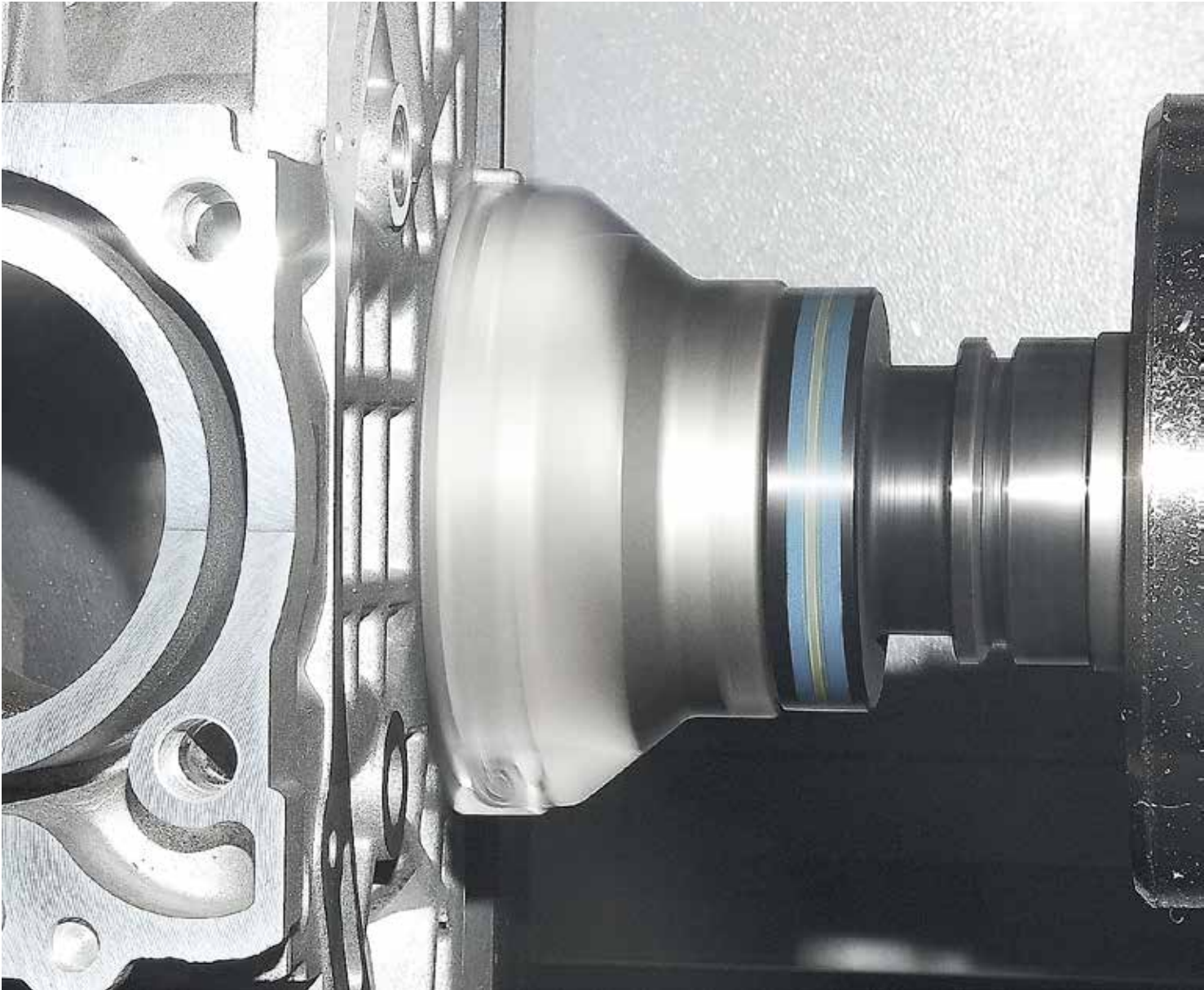
Powerful Cutting Capability & Large Working Area

- ◎ **Spindle Output** (Max./Cont.) : 26/22 kW (34.9/29.5 HP)
- ◎ **Spindle Torque** (Max./Cont.) : 1,500/1,275 N·m (1,106.3/940.4 lbf·ft)
- ◎ **Travel** (X/Y/Z axis) : 1,250/1,000/850 mm (49.2"/39.4"/33.5")
- ◎ **Max. Load Capacity** : 2-2,200 kg (2-4,850 lb)

02
KH80G

Powerful Cutting Spindle

High Productivity Achieved
with High Rigidity and High Precision



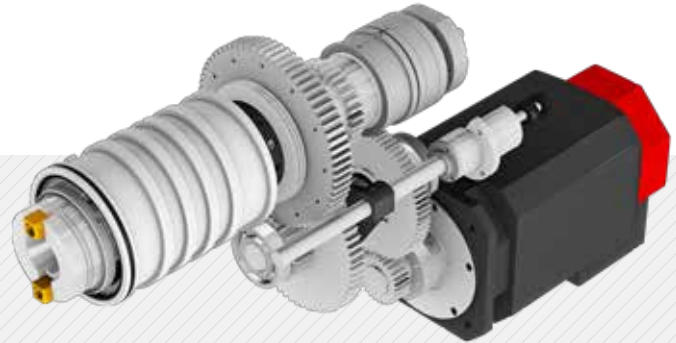
Highly Rigid Main Spindle Structure

Main spindle diameter of 100mm(3.9") helps maintain reliability during heavy duty cutting, while the 3-point contact roller bearing as well as angular contact bearing provide high rigidity.

Spindle oil cooling device is applied to minimize thermal displacement. This helps maintain precision during long hours of operation.

3 Step Geared Spindle

The KH80G is designed with a 3-step gear drive, which provides high torque at low rpm and stability at high rpm.



Tool Holders

BBT, CAT, HSK tool holders are applicable.

CAT **OPTION**

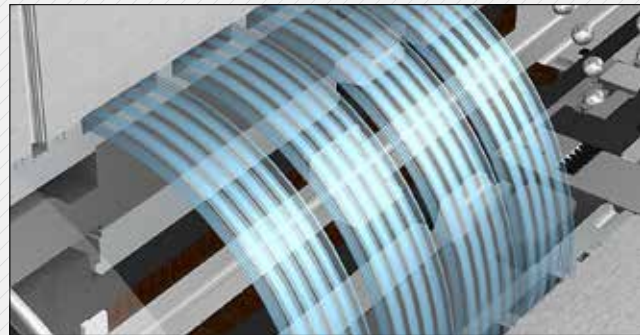


BT

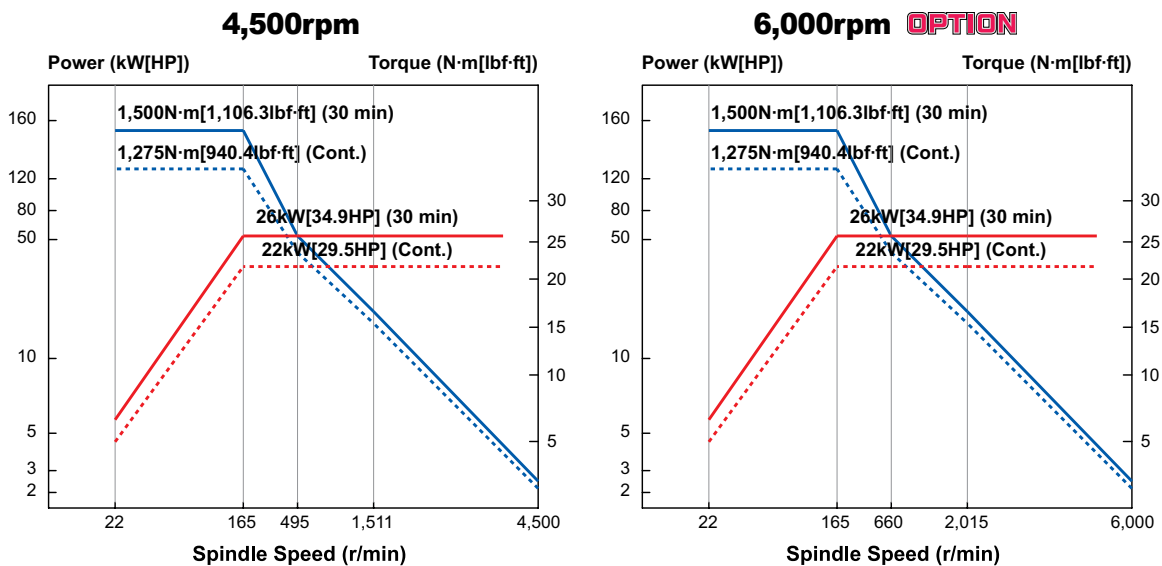
HSK **OPTION**

Spindle Cooling

Spindle temperature can be controlled by the use of a spindle oil chiller. This ensures constant oil temperature and minimizes thermal displacement.



Spindle Output/Torque Diagram



03

KH80G

Pallet

High Productivity Achieved
with High Rigidity and High Precision



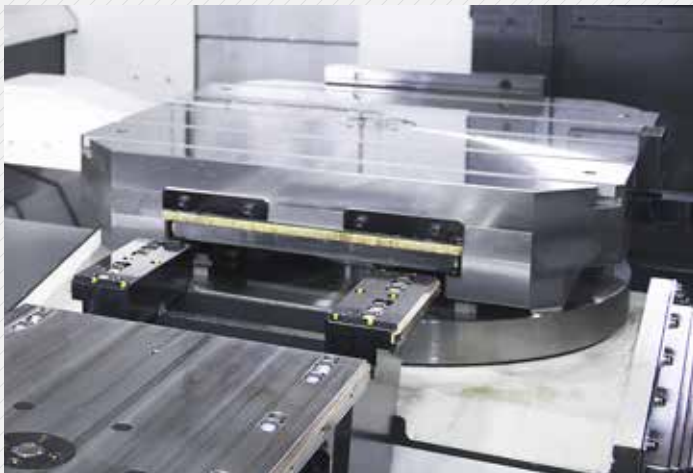
Shuttle Type APC

The KH80G is equipped with a shuttle type APC (Automatic Pallet Changer) as standard. The pallet can be rotated in the loading station for quick and easy load/unload of machined parts.

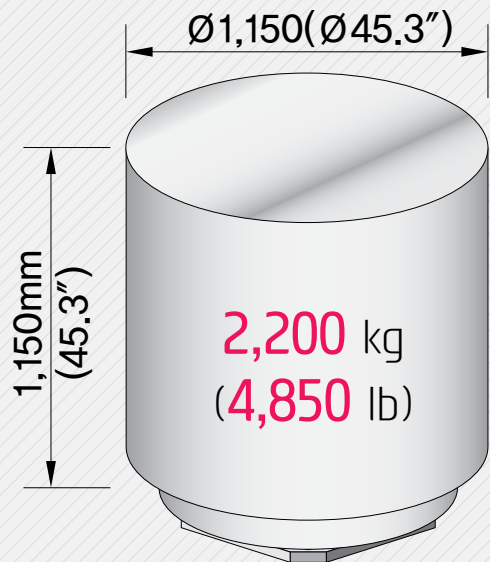
Peripheral Device

Table

Powerful clamping by clamping plate is suitable for heavy duty cutting. Precise indexing is possible with 1° index table which applies high precision couplings.



Work Area



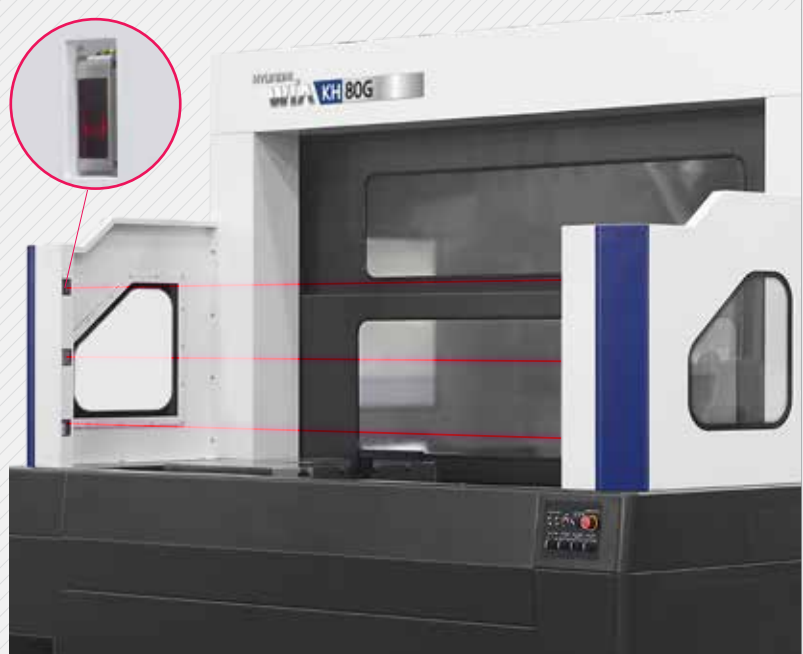
APC Safety Sensor

Safety sensors on APC covers detect the presence of operators near APC. When a contact is detected on the beam, APC automatically stops. This helps establish a safe work environment.



Enhanced Convenience of APC

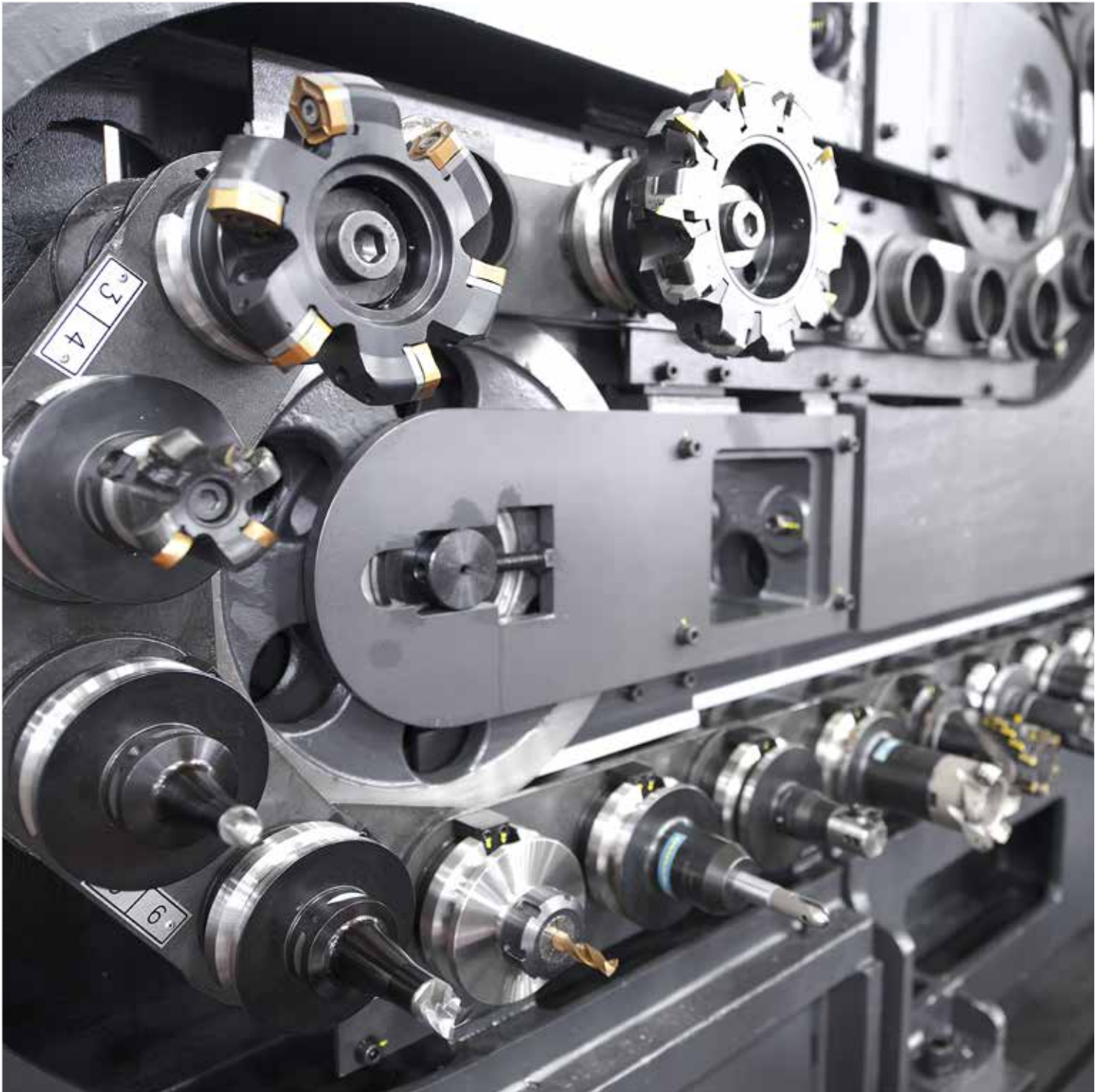
An additional control panel is provided for APC operating.



04
KH80G

Magazine & ATC

High Productivity Achieved
with High Rigidity and High Precision





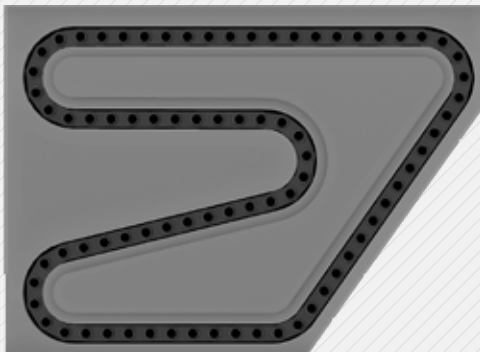
40 Tool

Magazine & ATC

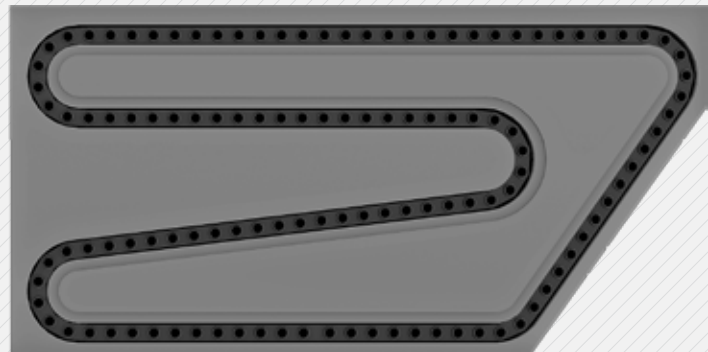
KH80G offers various tool magazines which expand the range of machining. Also, fixed address tool selection method increases convenience.

Machine Dimensions According to Magazine Selection

40 Tool : 5,510 mm (216.9") 80 Tool : 6,700 mm (263.8")
120 Tool : 8,125 mm (319.9")



80 Tool **OPTION**



120 Tool **OPTION**

ATC

Tool change time has been shortened to 3.5s (T-T) and this helps reduce non-cutting time.

T2 types of ATC cycles for standard tools (15kg[33lb]) and heavy tools(27kg[59.5lb]) increase convenience.

- **Std. Tool Weight :**
15 kg (33 lb)
- **Max. Tool Weight :**
27 kg (59.5 lb)



05
KH80G

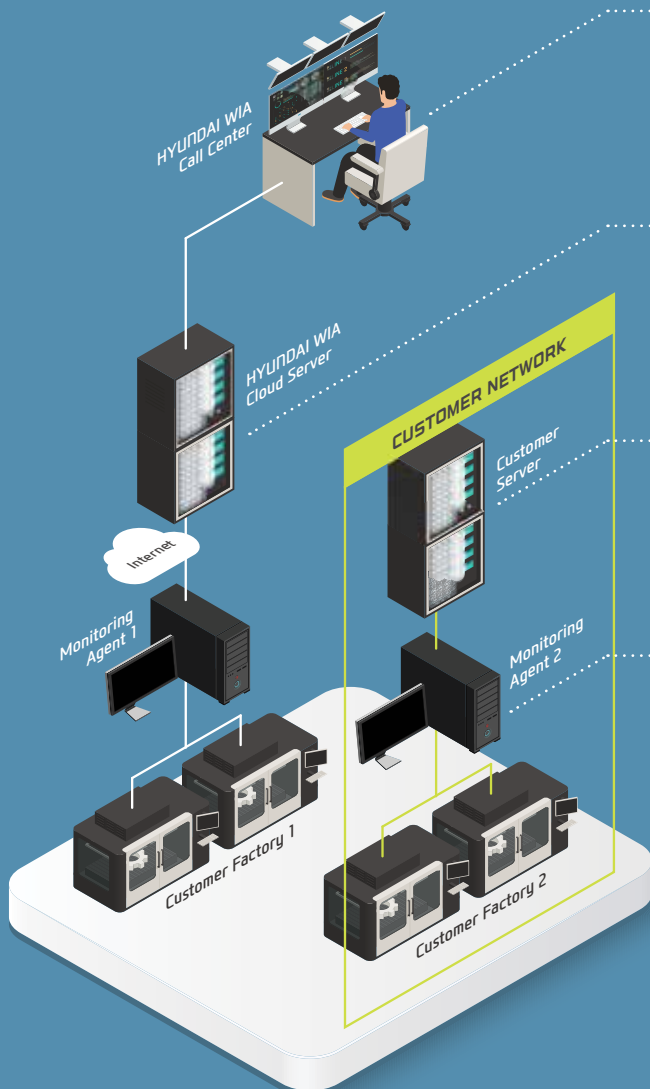
iRiS

HYUNDAI WIA
Smart Factory Solution
integrated Revolution of industrial Solution

iRiS is HYUNDAI WIA's Smart Factory Solution.

iRiS, HYUNDAI WIA's revolutionary smart factory solution, consists of **Smart Monitoring System** for integrated management of HYUNDAI WIA machines around the world, and the **Smart Machining System** with ease, quality control, productivity and safety of the operator in mind.

SMART MONITORING



HW-MMS Remote (Remote service based)

Hyundai Wia Call Center's remote diagnosis service provides a HMI/video diagnostic function.



HW-MMS Cloud (Cloud server based)

A cloud server-based equipment monitoring system for collecting and analyzing facility operation data.



HW-MMS Edge (Customer Server Based)

A customer server-based equipment monitoring system for collecting and analyzing facility operation data.



HW-MMS Collector (Machine data collector)

A dedicated program for collecting CNC data for MES/ERP.

A brand new manufacturing machine by Hyundai Wia, HW-MMS is a unique software capable of monitoring the operation status of manufacturing machines in factories, a **smart solution** to improve manufacturing conditions of customers.

SMART MACHINING



HW-MCG
HYUNDAI WIA
Machine Guidance

Software that offers operation, maintenance, management monitoring and various user friendly features.



HW-TM
HYUNDAI WIA
Tool Monitoring

A tool monitoring software which analyzes the load of the spindle motor to determine and monitor possible damage of tools.



HW-MCS
HYUNDAI WIA Machining
Condition Selection

Software that automatically sets cutting and feeding parameters according to the machining types (speed, degree, quality)



HW-WARMUP
HYUNDAI WIA
WARMing Up

Warm-up software that measures main spindle halt and offers system warm-up time automatically.



HW-DPRO
HYUNDAI WIA
Dialogue PROGRAM

Software to create machining program easily and quickly through interactive operation



HW-TDC
HYUNDAI WIA Thermal
Displacement Compensation

Software that measures the changes in the external environment as well as heat emission during processing to help reduce thermal displacement.



HW-AFC
HYUNDAI WIA
Adaptive Feed Control

Software that controls the feed automatically to maintain a certain working load to extend tool life as well as productivity.



HW-ESS
HYUNDAI WIA
Energy Saving System

An environmental friendly software that reduces the unnecessarily wasted standby power waiting for an operation.



RENISHAW GUI
Work / Tool Offset
Measurement

User-friendly GUI software for material coordinate system, tool length / diameter/breakage measurement (included in RENISHAW H/W set)



HW-eDNC
HYUNDAI WIA ethernet
Direct Numerical Control

This software allows transmission of NC data between PC and a machine's CNC. The processing programs can be managed on the PC through the ethernet or serial communication.

05

KH80G

User Convenience



Various Devices for User Convenience

Measuring Device

Work Measuring

Workpiece coordinate values can be set automatically using the optional spindle probe.



Tool Measuring

Tool lengths and diameters can be set automatically using the optional tool setter. This can also be used to monitor tool attrition and detect broken tools.



Laser Type



Touch Type

Precision Device

Linear Scale & Rotary Scale

Linear scale and rotary scale help process highly accurate products through precise positioning.



Linear Scale



Rotary Scale

Hydraulic Device

Hydraulic Supply Unit

Instead of the standard hydraulic supply unit, an optional fixture unit can bring the pressure up to **100 bar (1,450 psi)**, maximizing the clamping force on the fixture.



Optional

6PPL

6PPL contains 5 buffer stations and a setup station as standard. Compared to conventional machines that feature APC (2 Pallets), 6PPL runs automatically for longer time. Also, machining various products is possible under a scheduled operation.



Cabin Screw Chip Conveyor (Standard)

Dual screw type chip conveyors are located at each side of the bed which makes it convenient to remove chips.



Chip Conveyor

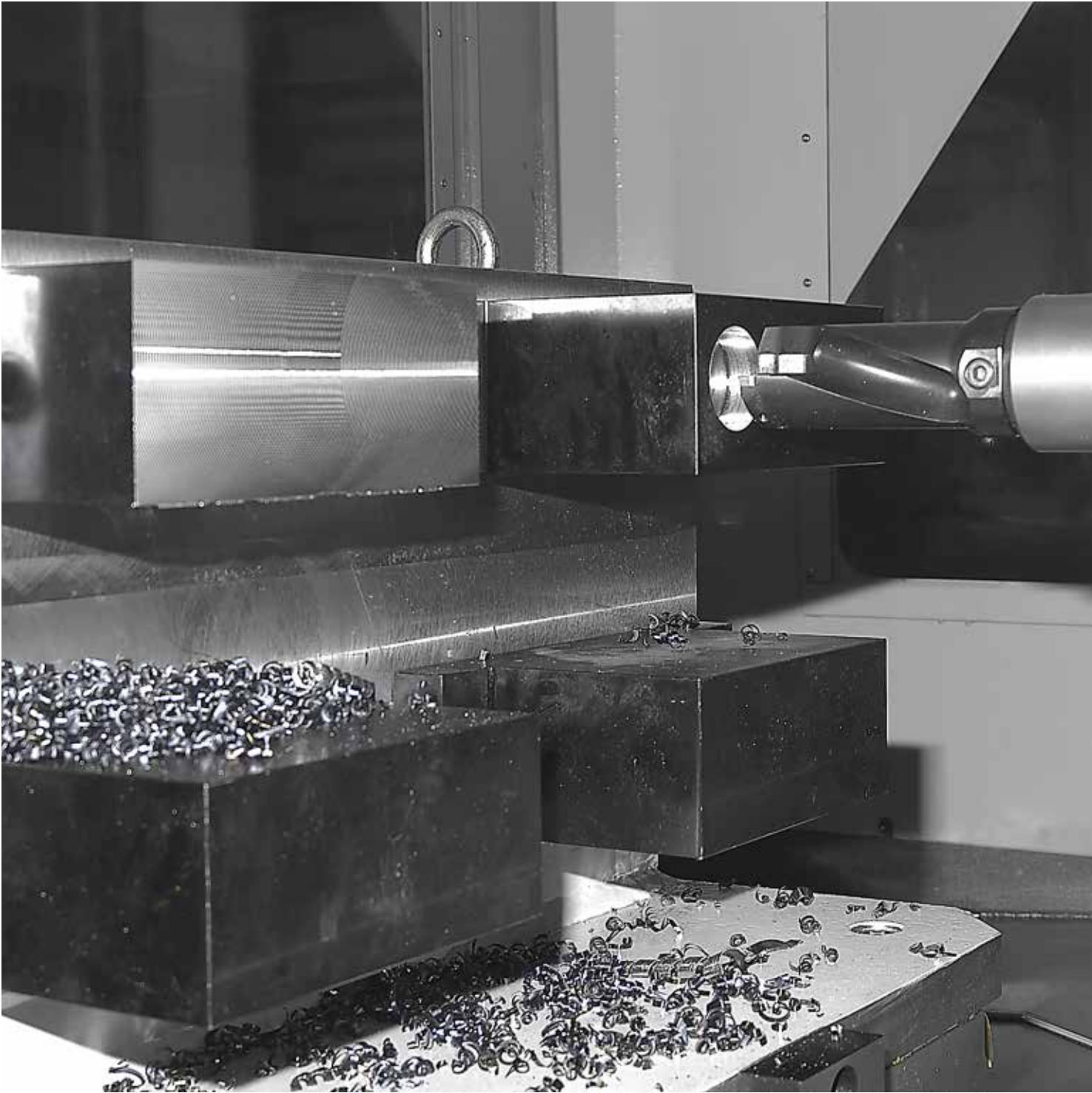
Timely and effective disposal of chips will enhance productivity as well as the working environment.

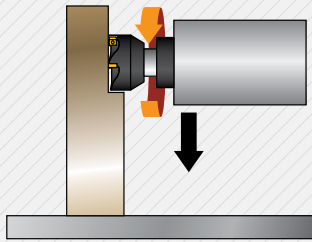
- **Hinge Belt Type** : Highly efficient when disposing a lot of chips. Capable of handling stringy chips. (Long Chip)
- **Scraper Type** : Convenient for shortly cut chips. (Short Chip)
- **Drum Filter Type** : Advantageous in precision, as the chips do not flow in to the coolant nozzle. (AL Chip)

n6
KH80G

Machining Capability

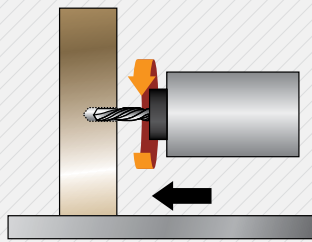
The Best Performance, Powerful Cutting, High Speed
Horizontal Machining Center





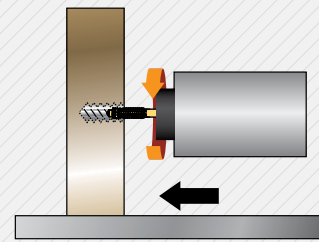
FACE MILL, S45C

Tool Diameter	Ø153 (Ø6.02")
Spindle rpm	300 r/min
Feed Rate	770 mm/min (30.3 ipm)
Cutting Width	150 mm (5.9")
Cutting Depth	6 mm (0.23")
Chip Quantity	700 cc/min



DRILL, S45C

Tool Diameter	Ø60 (Ø2.36")
Spindle rpm	133 r/min
Feed Rate	50 mm/min (1.96 ipm)
Chip Quantity	180 cc/min



TAP, S45C

Tool Diameter	M52 × P5.0
Spindle rpm	43 r/min
Feed Rate	215 mm/min (9.46 ipm)

Sample Workpieces



SPECIFICATIONS

Standard & Optional

Spindle		KH80G
4,500rpm (26/22kW[34.9/29.5HP])	Gear (3Step)	●
6,000rpm (26/22kW[34.9/29.5HP])	Gear (3Step)	○
Spindle Cooling System		●
ATC		
ATC Extension	40	●
	60	-
	80	○
	90	-
	120	○
Tool Shank Type	BT50	●
	BBT50	○
	CAT50	○
	HSK-A100	○
Heavy Weight Tool	27kg (59.5lb)	●
	35kg (77.2lb)	-
U-Center	D'andrea	☆
	45°	●
Pull Stud	60°	-
	90°	-
	90°	-
Servo Motor Magazine		●
Table & Column		
APC	Shuttle	●
Tap Type Pallet		●
T-Slot Pallet		○
Std. Table	1°	●
B Axis NC Table	0.001°	○
Coolant System		
Std. Coolant (Nozzle)		●
Bed Flushing Coolant		●
Through spindle coolant*	6bar (87 psi)	○
	20 bar (290 psi)	○
	30 bar (435 psi), 20 ℓ (5.3 gal)	○
	70 bar (1,015 psi), 15 ℓ (3.9 gal)	☆
	70 bar (1,015 psi), 30 ℓ (7.9 gal)	○
Shower Coolant		○
APC Chip Cleaning		-
Gun Coolant		○
Side Oil Hole Coolant		☆
Air Gun		○
Cutting Air Blow		☆
Tool Measuring Air Blow (Only for TLM)		○
Air Blow for Automation		☆
Thru MQL Device (Without MQL)		☆
Coolant Chiller		☆
Power Coolant System (For Automation)		☆
Chip Disposal		
Coolant Tank	400 ℓ (10.57 gal)	●
Cabin Screw Chip Conveyor		●
Chip Conveyor (Hinge/Scraper)	Left (Front)	○
	Left (Rear)	○
Magnetic Scraper Chip Conveyor(Side/Rear)		-
Special Chip Conveyor (Drum Filter)		☆
Chip Wagon	Standard (180 ℓ [47.5 gal])	○
	Swing (200 ℓ [52.8 gal])	○
	Large Size (330 ℓ [87.2 gal])	○
	Customized	☆
S/W		
Machine guidance (HW-MCG)		●
Tool Monitoring (HW-TM)		○
DNC Software (HW-eDNC)		○
Spindle Heat Distortion Compensation (HW-TDC)		○
Spindle Warm up Function (HW-WARMUP)		●
Energy Saving System (HW-ESS)		●
Machine Monitoring System (HW-MMS)		○
REFINISHAW GUI		○
Machining Condition Selection (HW-MCS)		●
Adaptive Feed Control (HW-AFC)		●
Conversational Program (HW-DPRO)		○

Through Spindle Coolant* : Please check the filter types with sales representative.
Specifications are subject to change without notice for improvement.

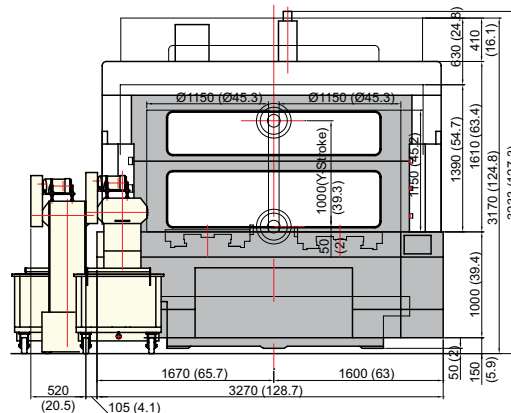
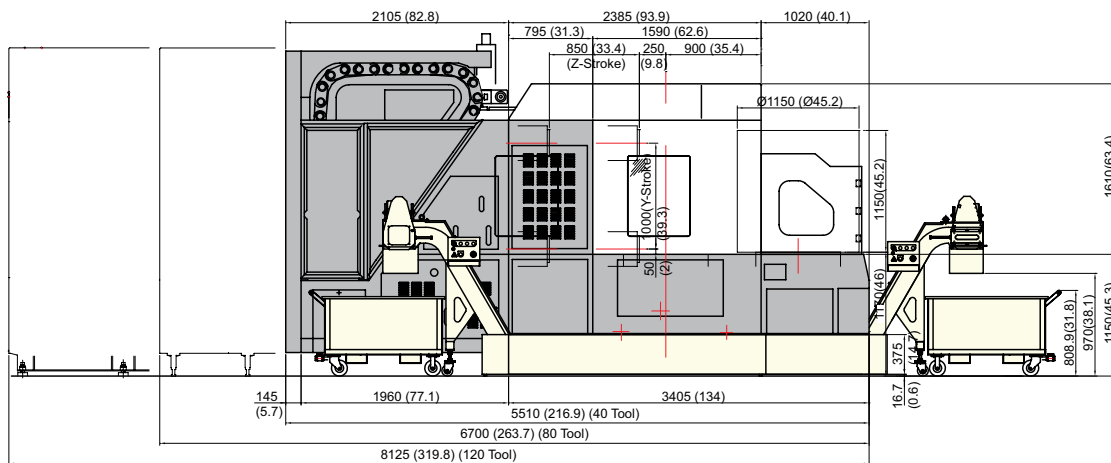
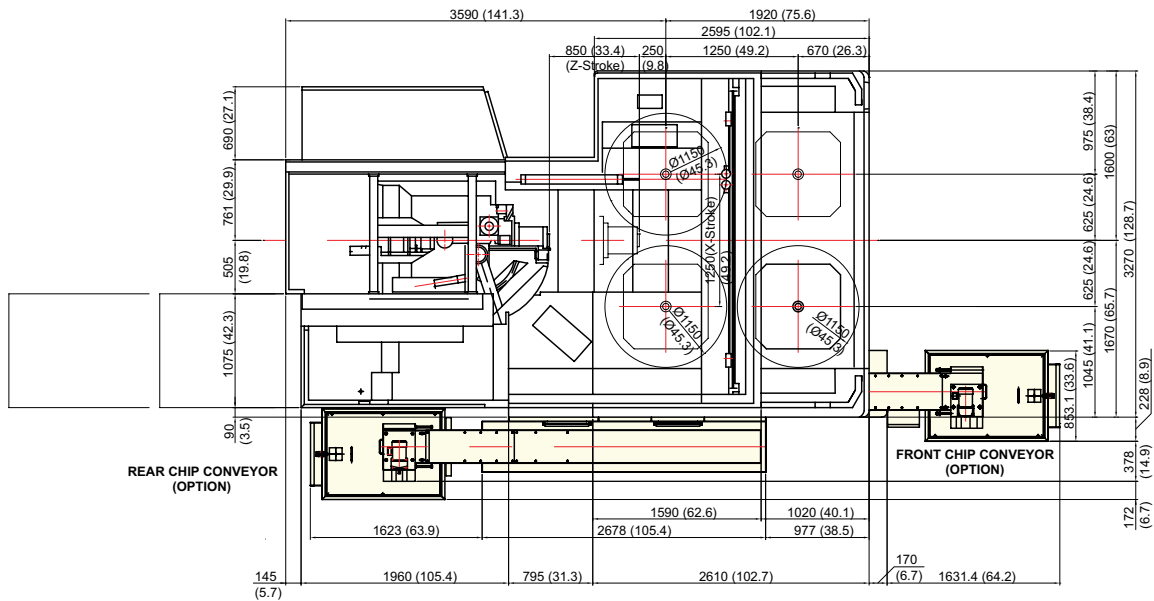
● : Standard ○ : Option ☆ : Prior Consultation - : non applicable

Safety Device		KH80G
Total Splash Guard		●
APC Splash Guard		○
Electric Device		
Call Light	1 Color : ●	●
Call Light	2 Color : ● ●	○
Call Light	3 Color : ● ● ●	○
Call Light & Buzzer	3 Color : ● ● ● B	○
Work Light		●
Electric Cabinet Light		○
Remote MPG		●
3 Axis MPG		○
Work Counter	Digital	○
Total Counter	Digital	○
Tool Counter	Digital	○
Electric Circuit Breaker		○
AVR (Auto Voltage Regulator)		☆
Transformer	70KVA	○
Auto Power Off		○
Back up Module for Black out		○
Measuring Device		
Air Zero	TACO	☆
	SMC	☆
Work Measuring Device		○
TLM (Marposs/Renishaw/Blum)	Touch	○
	Laser	○
Tool Broken Detective Device		○
Linear Scale	X/Y/Z Axis	○
Rotary Scale	B Axis	○
Pallet Close Confirmation Device		-
Coolant Level Sensor (Only for Chip Conveyor, Bladder Type)		☆
Environment		
Air Conditioner		○
Dehumidifier		○
Oil Mist Collector		☆
Oil Skimmer (Only for Chip Conveyor)		○
MQL (Minimal Quantity Lubrication)		☆
Fixture & Automation		
Auto Door	Std.	-
	High Speed	-
Auto Shutter (Only for Automatic System)		-
Sub O/P		☆
Control of Additional Axis	1Axis	☆
	2Axis	-
External M Code 4ea		○
Automation Interface		☆
I/O Extension (In & Out)	16Contact	○
	32Contact	○
PPL (GPPL)		○
Hyd. Device		
Std. Hyd. Unit	45bar (652.7 psi) / 60 ℓ (16.9 gal)	-
	50bar (725 psi) / 60 ℓ (16.9 gal)	-
	70 bar (1,015 psi)/ 100 ℓ (26.4 gal)	●
Center Type Hyd. Supply Unit (Upper)	2x4(8Port)	-
Manual Coupler	2x2(4Port)	☆
Auto Coupler		-
Hyd. Unit for Fixture	45bar (653psi)	○
	70bar (1,015psi)	○
	100bar (1,450 psi)	☆
Customized		☆
ETC		
Tool Box		●
Customized Color	Need for Munsel No.	☆
CAD&CAM Software		☆
Air Lift Slide Method	Z Axis	●

SPECIFICATIONS

External Dimensions

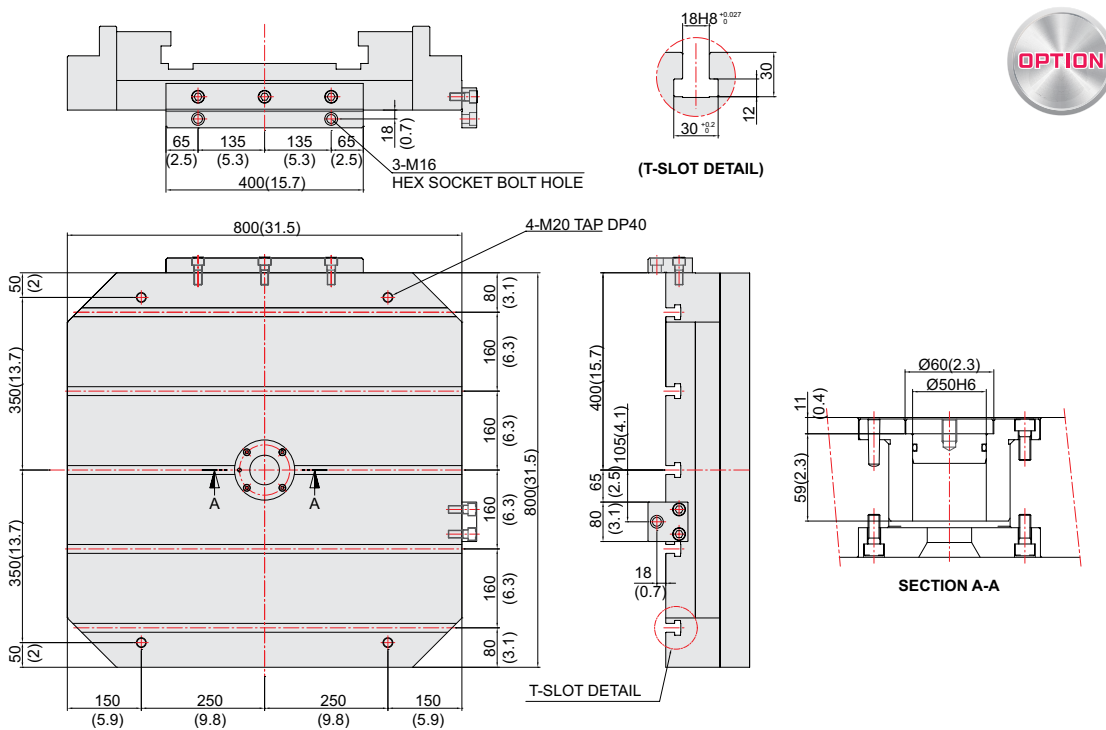
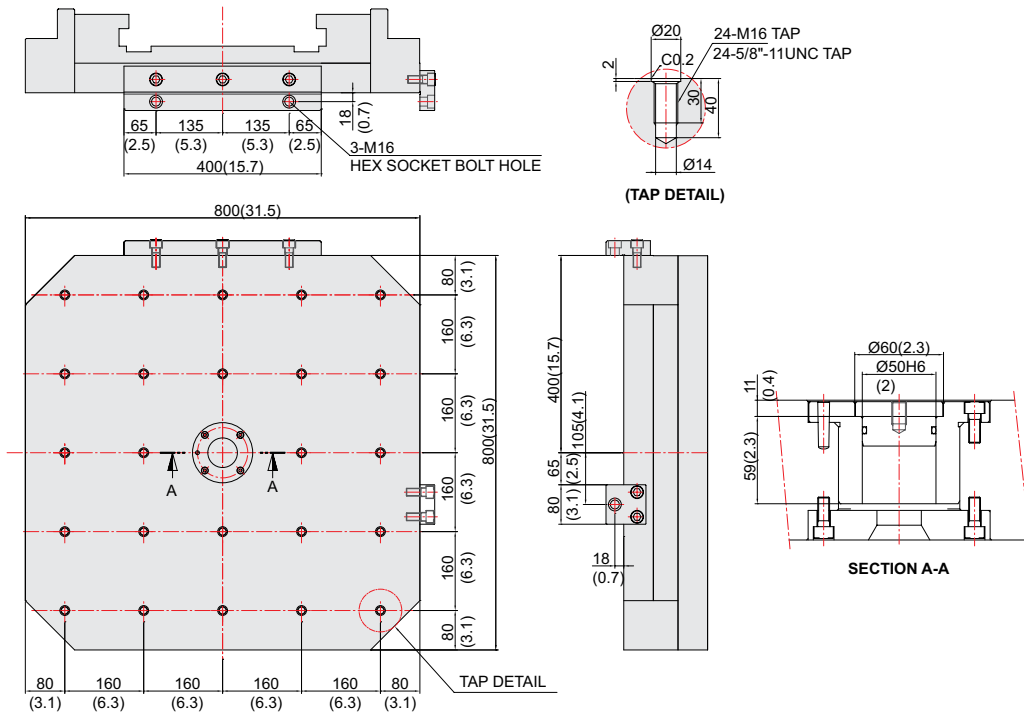
unit : mm(in)



SPECIFICATIONS

Table Dimensions

unit : mm(in)

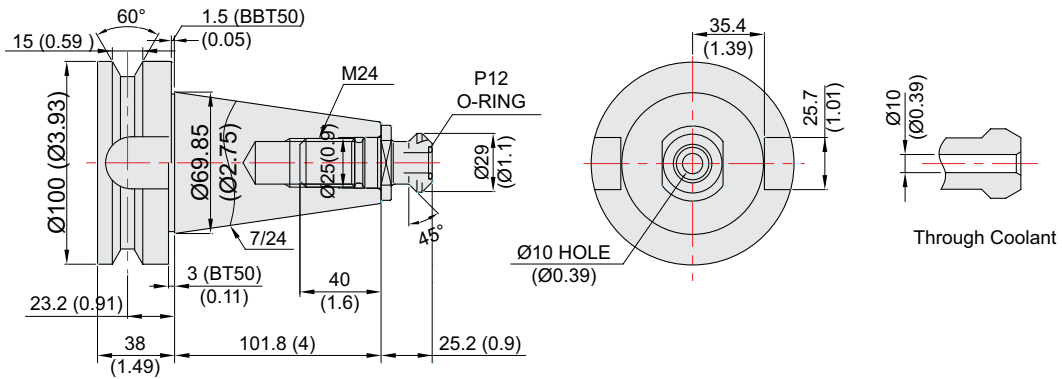


SPECIFICATIONS

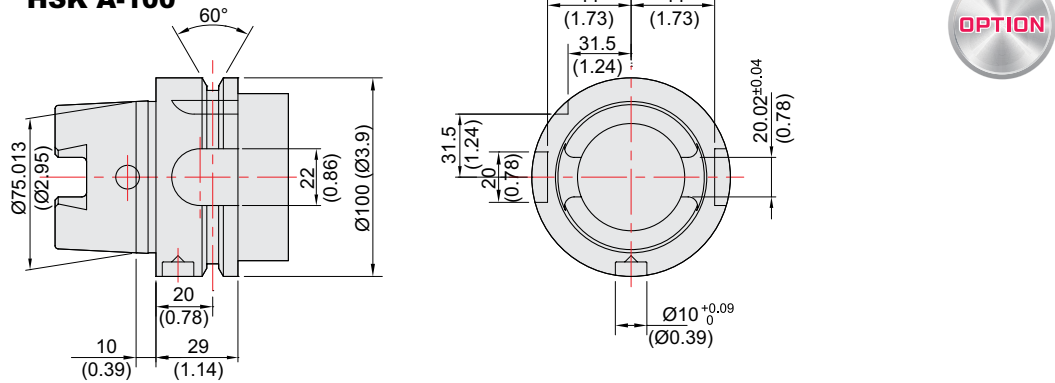
Tool Shank

unit : mm(in)

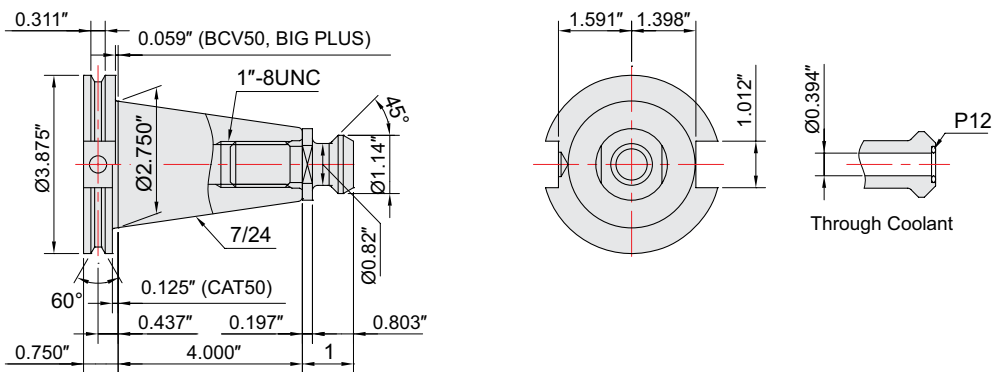
BT50/BBT50, BIG PLUS



HSK A-100



CAT50/BCV50



SPECIFICATIONS

Specifications

[] : Option

ITEM			KH80G
PALLET	Pallet Size	mm(in)	2-800×800 (31.5"×31.5")
	Maximum Load Capacity	kgf(lbf)	2-2,200 (2-4,850)
	Maximum Working Size	mm(in)	Ø1,150×H1,150 (Ø45.3"×H45.3")
	Min. Indexing Angle	deg	1° [0.001°]
SPINDLE	Spindle Taper	-	NT #50 [HSK-A100]
	Spindle RPM	r/min	4,500 [6,000]
	Spindle Motor Output (Max./Cont.)	kW(HP)	26/22 (34.9/29.5) [26/22 (34.9/29.5)]
	Spindle Torque (Max./Cont.)	N·m(lbf.ft)	1,500/1,275 (1,106.3/940.4) [1,500/1,275 (1,106.3/940.4)]
	Spindle Driving Method	-	GEAR
FEED	Travel (X/Y/Z axis)	mm(in)	1,250/1,000/850 (49.2"/39.4"/33.5")
	Distance from Table Top to Spindle Center	mm(in)	50 ~ 1,050 (2"~41.3")
	Distance from Table Center to Spindle Nose	mm(in)	250 ~ 1,100 (9.8"~43.3")
	Rapid Traverse Rate (X/Y/Z)	m/min(ipm)	18/18/18 (709/709/709)
	Slide Type	-	X,Z Axis : LM GUIDE, Y Axis : BOX GUIDE
ATC	Number of Tools	EA	40 [80, 120]
	Tool Shank	-	BT50 [BBT50] [CAT50] [HSK-A100]
	Max. Tool Dia. (W.T/W.O)	mm(in)	Ø130/Ø260 (Ø4.3"/Ø9.6")
	Max. Tool Length	mm(in)	500 (19.7")
	Max. Tool Weight	kg(lb)	27 (59.5)
	Tool Selection Method	-	FIXED ADDRESS
	Tool Change Time	T-T C-C	sec sec
APC	No. of Pallet	EA	2 [6]
	Pallet Change Time	sec	28
	APC Type	-	SHUTTLE
TANK CAPACITY	Coolant Tank	ℓ (gal)	400 (105.7)
	Lubricating Tank	ℓ (gal)	3 (0.8) (2ea)
	Hyd. Tank Unit	ℓ (gal)	100 (23.7)
POWER SUPPLY	Air Consumption (0.5MPa)	ℓ /min(gal/min)	670 (177)
	Electric Power Supply	KVA	56
	Thickness of Power Cable	Sq	Over 25
	Voltage	V/Hz	220/60 (200/50*)
MACHINE	Floor Space (L×W)	mm(in)	5,510×3,270 (216.9"×128.7") (40 Tool)
	Height	mm(in)	3,233 (127.3")
	Weight	kg(lb)	21,500 (47,399)
NC	Controller	-	FANUC 31i-B

*) Using 50Hz voltage instead of 60Hz may lower the output of motors. (excluding servo motors and inverter motors)
Specifications are subject to change without notice for improvement.

CONTROLLER

FANUC 31i-B

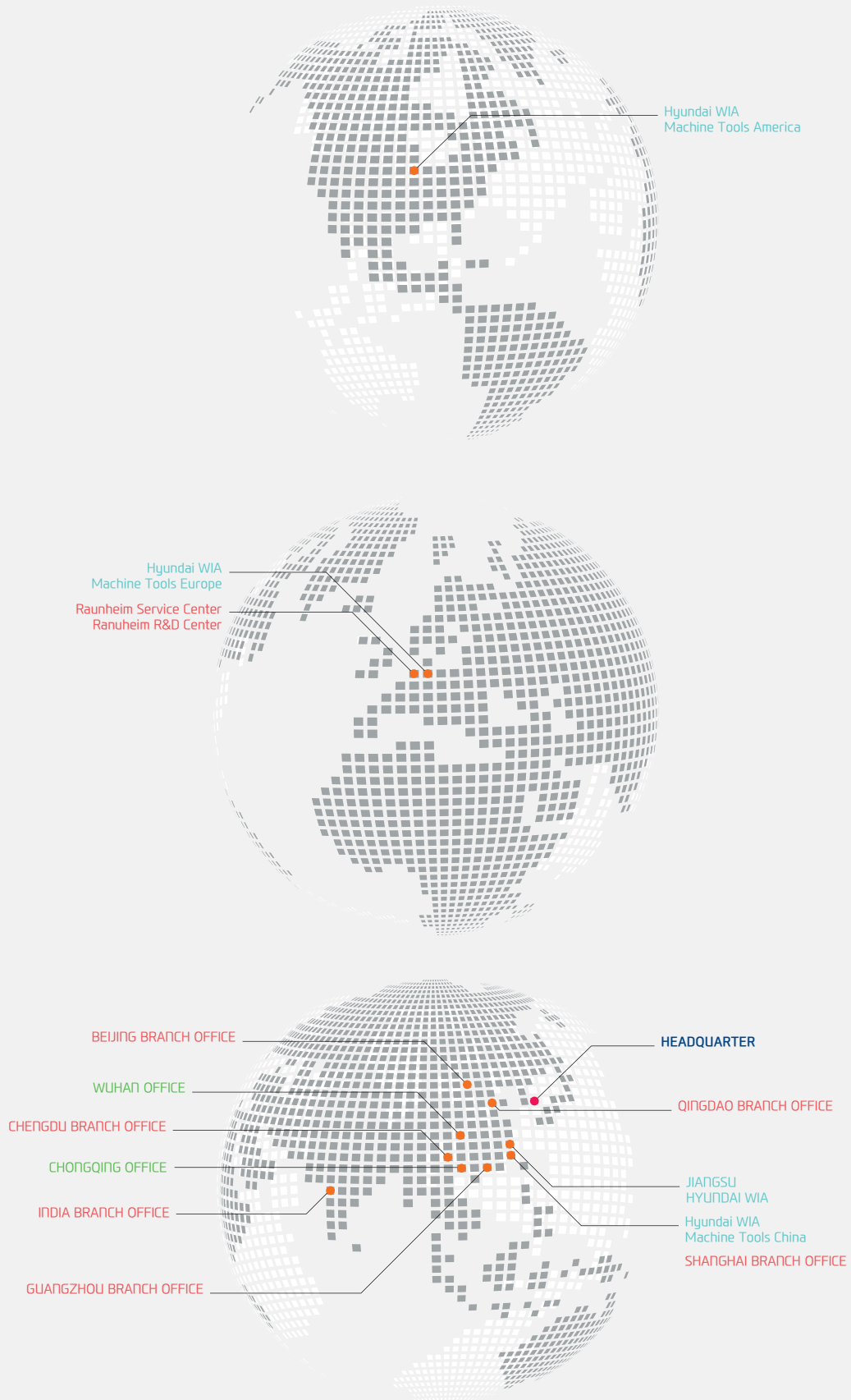
[] : Option ☆ Needed technical consultation

Controlled axis / Display / Accuracy compensation	
Control axes	3 axes (X, Y, Z) 4 axes (X, Y, Z, B)
Simultaneously controlled axes	3 axes [Max. 4 axes]
Least setting Unit	X, Y, Z axes : 0.001 mm (0.0001 inch) B axes : 0.001 deg
Least input increment	X, Y, Z axes : 0.001 mm (0.0001 inch) B axes : 0.001 deg
Inch / Metric conversion	G20 / G21
High response vector control	
Interlock	All axes / Each axis
Machine lock	All axes
Backlash compensation	± 0 ~ 9999 pulses (Rapid traverse / Cutting feed)
Position switch	
LCD / MDI	10.4 inch color LCD
Feedback	Absolute motor feedback
Stored stroke check 1	Over travel
Stored pitch error compensation	
Operation	
Automatic operation (Memory)	
MDI operation	
DNC operation	Needed DNC software / CF card
Program restart	
Wrong operation prevention	
Program check function	Dry run, Program check Z axes Machine lock, Stroke check before move
Single block	
Search function	Program Number / Sequence Number
Interpolation functions	
Pano interpolation	
Positioning	G00
Linear interpolation	G01
Cylindrical interpolation	G02, G03
Exact stop mode	Single : G09, Continuous : G61
Dwell	G04, 0 ~ 9999.9999 sec
Skip	G31
Reference position return	1st reference : G28 2nd reference : G27 Ref. position check : G30
Thread synchronous cutting	G33
Helical interpolation	Circular + Linear interpolation 2 axes(max.)
Feed function / Acc. & Dec. control	
Manual feed	Rapid traverse Jog : 0~5,000mm/min (197 ipm) Manual handle : x1, x10, x100 pulses Reference position return
Cutting feed command	Direct input F code
Feedrate override	0 ~ 200% (10% Unit)
Rapid traverse override	F0% (F1%), F25%, F50%, F100%
Override cancel	
Feed per minute	G94
Feed per revolution	G95
Look-ahead block	40 Block 200 Block (Mold)
Program input	
Tape Code	EIA / ISO
Optional block skip	1 ea
Absolute / Incremental program	G90 / G91
Program stop / end	M00, M01 / M02, M30
Maximum command unit	± 999,999.999 mm (± 99,999.9999 inch)
Plane selection	X-Y : G17 / Z-X : G18 / Y-Z : G19
Workpiece coordinate system	G52, G53, 48 pairs (G54.1 P1 ~ 48)
Manual absolute	Fixed ON
Programmable data input	G10
Sub program call	10 folds nested
Custom macro	#100 ~ #149, #500 ~ #549
G code system	A
Programmable mirror image	G51.1, G50.1
G code preventing buffering	G4.1
Including Chamfering / Corner R	
Canned cycle	G73, G74, G76, G80 ~ G89
Coordinate rotation	G68, G69

Auxiliary function / Spindle speed function	
Auxiliary function	M 4 digit
Level-up M Code	Multi / Bypass M code
Spindle speed command	S 5 digit , Binary output
Spindle override	0% ~ 150% (10% Unit)
Spindle orientation	M19
FSSB high speed rigid tapping	
Tool function / Tool compensation	
Tool function	Max. T 8 digit
Tool life management	256 pairs ☆
Tool offset pairs	99 pairs
Tool nose radius compensation	G40, G41, G42
Tool nose length compensation	G43, G44, G49
Tool offset memory C	Tool length, diameter, abrasion(length, diameter)
Tool length measurement	Z axes Input C
Editing function	
Part program storage size	640m (256KB)
No. of registerable programs	500 EA
Program protect	
Background editing	
Extended part program editing	Copy, move and change of NC program
Memory card program edit	
Data input / output & Interface	
I/O interface	RS 232C serial port, CF card, USB memory Embedded Ethernet interface
Screen hard copy	
External message	
External key input	
External workpiece number search	
Automatic data backup	
Setting, display and diagnosis	
Self-diagnosis function	
History display	Alarm & Operator message & Operation
Run hour / Parts count display	
Maintenance information	
Actual cutting feedrate display	
Display of spindle speed / T code	
Graphic display	
Operating monitor screen	Spindle / Servo load etc.
Power consumption monitoring	Spindle & Servo
Spindle / Servo setting screen	
Multi language display	Support 20 languages
Display language switching	Selection of 5 optional Languages
LCD Screen Saver	Screen saver
Processing select	Speed/ridigity setting
Option	
Additional optional block skip	9 ea ☆
Fast ethernet	Needed option board
Data server	Needed option board
Protection of data at 8 levels	
Sub Spindle control	
Polar coordinate command	G15, G16
Polar coordinate interpolation	G12.1, G13.1
Cylindrical interpolation	G07.1
One-way positioning	G60
Stored stroke check 2, 3	
Inverse-time feed	G93
Scaling	G50, G51
Manual guide i	Conversational auto program
Handle interrupt	
Manual handle feed	2/3 units
Additional custom macro variables	#100~#199, #500~#999 #100~#199, #500~#999, #98000~#98499
Retraction for rigid tapping	
Tool management function	
Tool offset number	Max. 2000 pair ☆
Program storage capacity	512KB ~ 8MB ☆
Program registration number	Max. 4000 ea ☆
Additional work coordinate	Max. 300 pair (G54.1 P1 ~ P300)
AICC II	200 block 400 / 600 / 1000 block ☆

Figures in inch are converted from metric values.
The FANUC controller specifications are subject to change based on the policy of company CNC supplying.

GLOBAL NETWORK



GLOBAL NETWORK



HEADQUARTER

Changwon Technical Center / R&D Center / Factory

153, Jeongdong-ro, Seongsan-gu, Changwon-si,
Gyeongsangnam-do, Korea (Zip Code : 51533)

TEL : +82 55 280 9114 FAX : +82 55 282 9680

Uiwang Technical Center / R&D Center

37, Cheoldobangmulgwan-ro, Uiwang-si, Gyeonggi-do,
Korea (Zip Code : 16082)

TEL : +82 31 596 8209 Fax : +82 55 210 9804

OVERSEAS OFFICES

HYUNDAI WIA Machine Tools America

265, Spring Lake Drive, Itasca, IL, 60143

TEL : +1 630 625 5600

FAX : +1 630 625 4733

Jiangsu HYUNDAI WIA

Company No.6 Fenghuang Road,
Fenghuang Town, Zhangjiagang City,
Jiangsu province, China

TEL : +86 512 5672 6808

FAX : +86 512 5671 6960

Chengdu Branch Office

NO.508 Room, B Block, AFC Plaza, NO.88
Jiaozi Road, High-tech Zone, Chengdu,
China

TEL : +86 028 8665 2985

FAX : +86 028 8665 2985

HYUNDAI WIA Machine Tools Europe

Kaiserleipromenade 5, 63067 Offenbach,
Germany

TEL : +49 69271 472 701

FAX : +49 69271 472 719

Hyundai WIA Machine Tools China Shanghai Branch Office

1-3F, Bldg6, No.1535 Hongmei Road,
Xuhui District, Shanghai, China

TEL : +86 021 6427 9885

FAX : +86 021 6427 9890

Qingdao Branch Office

Room 1207, Cai Fu Building, 182-6 Haier
Middle Road, Qingdao, China

TEL : +86 532 8667 9334

FAX : +86 532 8667 9338

Raunheim Service Center Raunheim R&D Center

Frankfurter. 63, 65479 Raunheim,
Germany

TEL : +49 6142 9256 111

FAX : +49 6142 9256 100

Beijing Branch Office

Floor 14, Zhonghangji Plaza B, No.15
Ronghua South Road, BDA Dist., Daxing
Dist., Beijing, China 100176

TEL : +86 010 8453 9850

FAX : +86 010 8453 9853

Wuhan Office

306-2, A Tower, Jiayu Gpmggian, No12
Chuangye Road, Economic Development
Zone, Wuhan, Hubei, China

TEL : +86 027 5952 3256

FAX : +86 027 5952 3256

India Branch Office

#4/169, Rajiv Gandhi Salai, (OMR),
Kandanchavadi, Chennai-600 096,
Tamilnadu, India

TEL: +91-44-3290-1719

Guangzhou Branch Office

Room 311, Unit 1-3, POLY TAL TU WUJ,
Hanxi Avenue, Panyu District, Guangzhou,
China

TEL : +86 020 8550 6595

FAX : +86 020 8550 6597

Chongqing Office

Room 951, #3, Jinrongcheng T3, Jiangbei,
Chongqing, China

TEL : +86 23 6701 2970



<http://machine.hyundai-wia.com>

Head Office & Factory

153, Jeongdong-ro, Seongsan-gu, Changwon-si, Gyeongsangnam-do **Tel** +82 55 280 9500

Overseas Sales Team

16F, 37, Cheoldobangmulgwan-ro, Uiwang-si, Gyeonggi-do **Tel** +82 31 593 8173

HYUNDAI WIA Machine Tools America

265 Spring Lake Drive, Itasca, IL, 60143 **Tel** +1 (630) 625 5600 **Fax** +1 (630) 625 4733

HYUNDAI WIA Machine Tools Europe

Kaiserleipromenade 5, D-63067 Offenbach, Germany **Tel** +49 69271 472 701 **Fax** +49 69271 472 719

India Branch Office

#4/169, Rajiv Gandhi Salai, (OMR), Kandanchavadi, Chennai-600 096, Tamilnadu, India **Tel** +91 44 3290 1719